



# HEIDENHAIN ROD 430 1024 Rotary Encoder Datasheet

## ID: 684658-18 | Incremental Rotary Encoder for CNC Machines

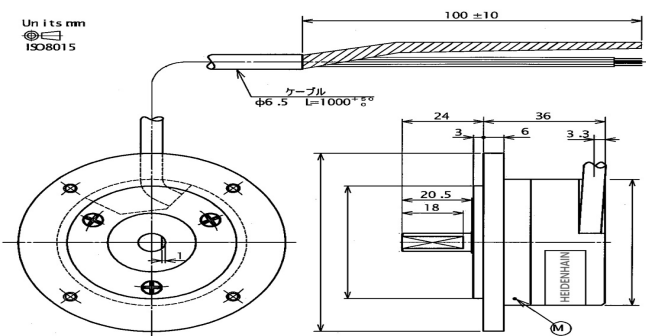
The HEIDENHAIN ROD 430 1024 rotary encoder (ID 684658-18) is a high precision incremental encoder designed for CNC machines, servo motors, and industrial automation systems. The encoder converts shaft rotation into incremental electrical signals that allow controllers to determine position, speed, and motion direction with high accuracy. The ROD 400 series from HEIDENHAIN is widely used in machine tools and precision automation equipment where stable motion feedback and reliable performance are required.

Full Code: ROD 430 1024 01L00-HZ K 1,00 73 0SE94A 64 57 0168 ... HTLS-C 48 01 ..

### Technical Specifications

Specification	Details
Manufacturer	HEIDENHAIN
Model	ROD 430 1024
ID Number	684658-18
Encoder Type	Incremental Rotary Encoder
Resolution	1024 Pulses per Revolution
Output Signals	Incremental A / B / Z
Shaft Type	Solid Shaft
Mounting	Synchro Flange
Applications	CNC Machines, Servo Motors, Industrial Automation
Country of Origin	Germany

### Mechanical Drawing



ROD 430 1024 01L00-HZ K 1,00 73 0SE94A 64 57 0168 ... HTLS-C 48 01 ..		<b>HEIDENHAIN</b>
ID	<b>684658-18</b>	
SN	76 385 974	